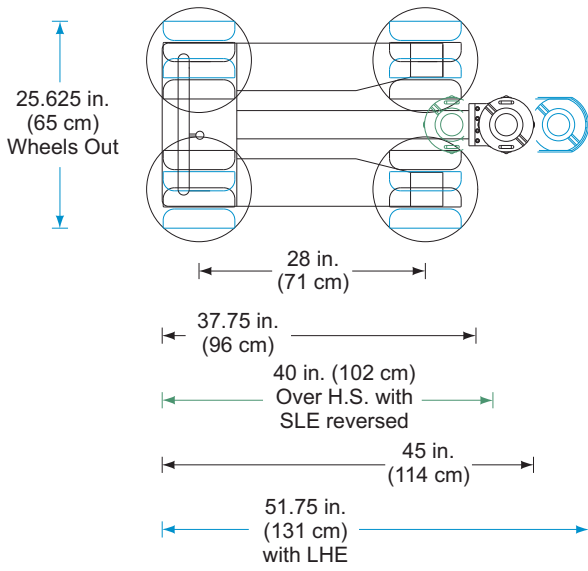
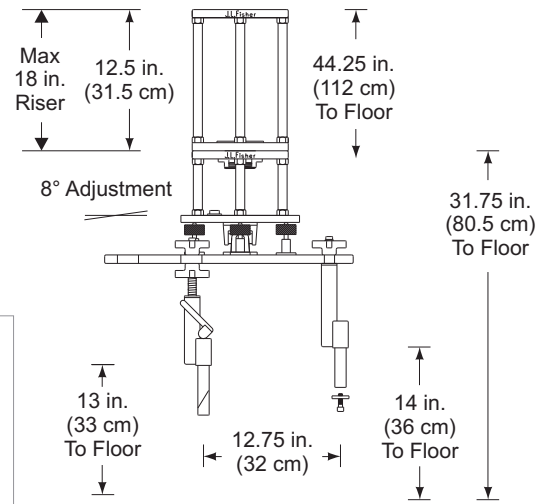


Maximum Lift Beam Elevation	51.25 in. (130 cm)
Minimum Elevation (standard head)	13.875 in. (35 cm)
Minimum Elevation (low level head)	3 in. (8 cm)
Vertical Beam Travel	33.375 in. (85 cm)
Lift Beam Capacity	200 pounds (90.72 kg)
Lifts per System Charge	7
Length	40 in. (102 cm)
Width (wheels in)	20.5 in. (52 cm)
Width (wheels out)	25.625 in. (65 cm)
Height (operating)	39.75 in. (101 cm)
Height (folded)	23.5 in. (60 cm)
Height (center mount, before riser)	36.75 in. (93 cm)
Minimum Turn Radius (round steering)	16.188 in. (41 cm)
Minimum Turn Radius (conventional steering)	33.5 in. (85 cm)
Carrying Weight	307 pounds (139.25 kg)
Maximum Dolly Load Capacity	900 pounds (408.23 kg)
Crated Size	59 in. (150 cm) L x 31 in. (79 cm) W x 34 in. (86 cm) H
Crated Weight	775 pounds (351.5 kg) (standard package)

DIMENSIONS



Note: Due to variables such as adjustments and choice of risers, wheels, etc., these dimensions are approximate.

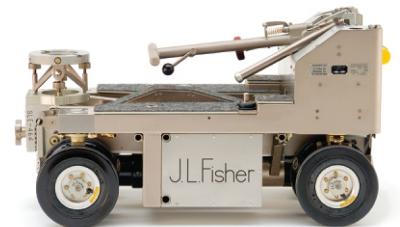
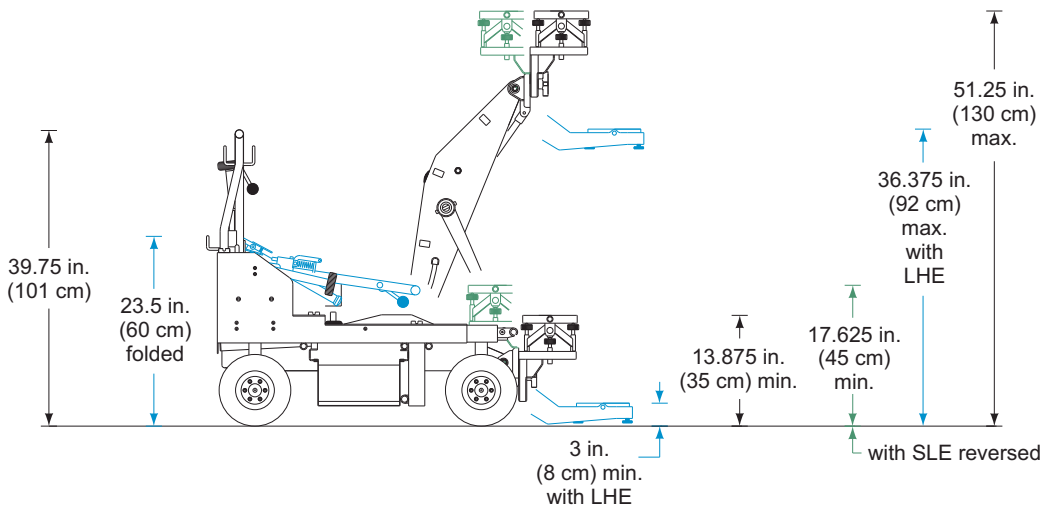


CENTER MOUNT (CM)

The Center Mount (CM), supports jib arms, lightweight camera booms and counterbalanced camera cranes. The Center Mount has thumbscrews for four-way leveling adjustment and a leveling indicator. Easily installed, the Center Mount has a standard Mitchell mount and comes with a heavy duty 12-inch Riser (R12).

The maximum gross load capacity of the Model 11 Dolly is 900 pounds (408 kg). Center Mount is not for supporting personnel or personnel carrying cranes.

MODEL 11 DOLLY



FOLDING CONTROLS

J.L. FISHER® PRODUCTS ARE PROUDLY MADE IN BURBANK, CALIFORNIA U.S.A.

J.L. Fisher, Inc. Motion Picture & Television Equipment
 1000 W. Isabel Street, Burbank, CA 91506 U.S.A.
 Tel: (818) 846-8366 / Fax: (818) 846-8699
 Web: www.jlfisher.com e-mail: info@jlfisher.com

J.L. Fisher, GmbH Emil-Hoffmann-Str. 55-59 50996 Köln, Germany
 Tel: +49 2236 3922 0 Fax: +49 2236 3922 12
 Web: www.jlfisher.de e-mail: info@jlfisher.de